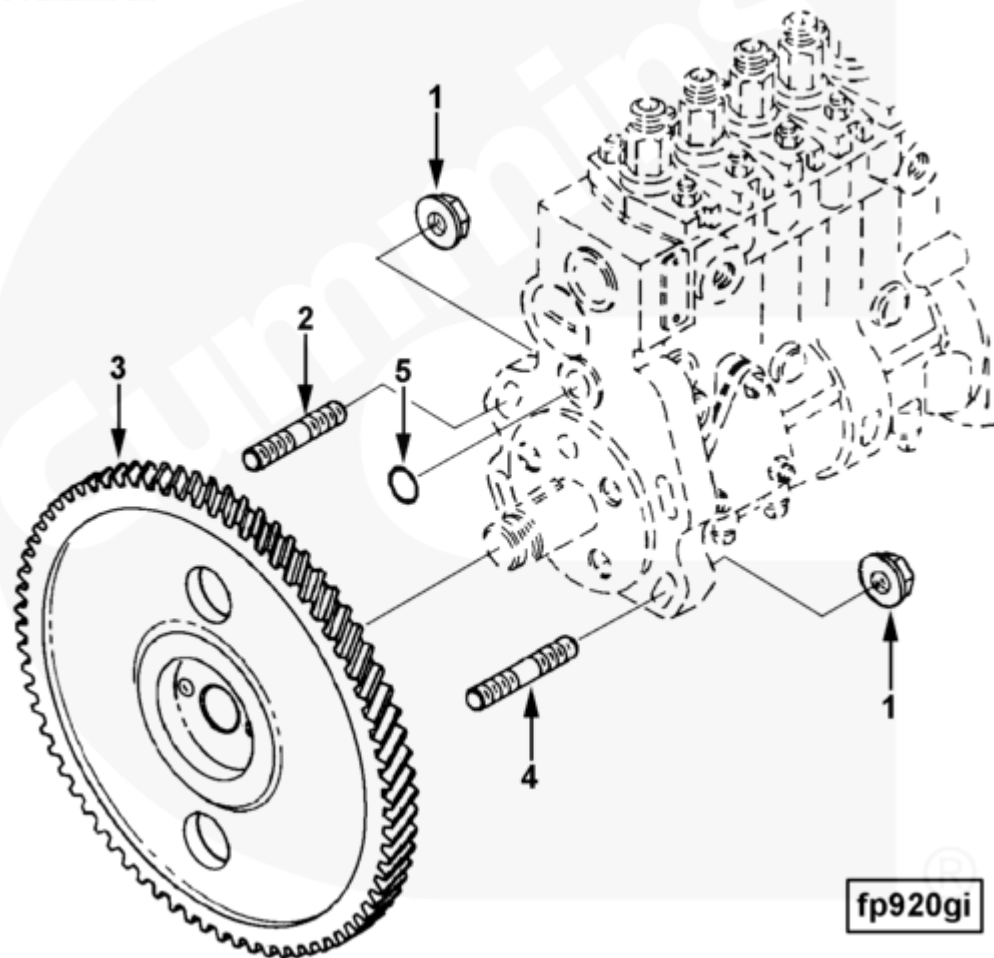




## Parts Catalog - Option Detail

Electronic Parts Catalog - Option Detail				
Option	Group	Graphic	Film Card	Date
FP9885-01	09.01	fp920gi	Z	02-NOV-96
<b>Engines</b>	6C8.3, C GAS PLUS CM556, G8.3, G8.3 CM558, GTA8.3 CM558, ISC CM2150, ISC CM554, ISC CM850, ISC8.3 CM2250, ISC8.3 G CM2180 C101, ISL CM2150, ISL CM554, ISL CM850, ISL G CM2180, ISL8.9 CM2150 L110, ISL8.9 CM2880 L112, ISL9 CM2150 SN, ISL9 CM2250, ISL9 CM2350 L101, ISL9 CM2350 L111, ISLE4 CM850, L GAS PLUS CM556, L8.9, L8.9 L121, L8.9G CMOH2.0 L125B, L9 CM2350 L116B, L9 CM2350 L119B, L9 CM2350 L120C, L9 CM2350 L123B, L9.3 L105, L9.5 L117, L9N CM2380 L124B, QSC8.3 CM2250, QSC8.3 CM2880 C102, QSC8.3 CM554, QSC8.3 CM850(CM2850), QSL9 CM2250, QSL9 CM2250 L115, QSL9 CM2350 L102, QSL9 CM2350 L107, QSL9 CM2350 L118, QSL9 CM2350 L122, QSL9 CM554, QSL9 CM850(CM2850), QSL9 G CM558, QSL9 M CM2250 L106, QSL9.3 CM2880 L113			

©Cummins Inc



[SMALL](#) | [MEDIUM](#) | [LARGE](#)

Cart	Ref No	Part Number	Part Description	Required	Remarks
View My Cart					
		<a href="#">FP9885-01</a>	Fuel Pump Coupling		

					Engine Family: C Series
					Fuel Pump Mfg/Model:
					Bosch MW
					Aspiration:
					Jacket Water Aftercooled
					Turbocharged
					Fuel Pump Gear Less Keyway.
					For Engines with Locktime
					Pumps.
					The two (2) 3907978 studs
					(short) are to be used in the
					in-board mounting holes.
					DEP May Substitute 3282372 in
					Place of 3915036.
<input type="checkbox"/>	1	<a href="#">3902662</a>	Hexagon Flange Nut	4	M10 x 1.50
<input type="checkbox"/>	2	<a href="#">3907978</a>	Stud	2	M10 x 1.50(Both Ends) x 50
<input type="checkbox"/>	3	<a href="#">3931379</a>	Fuel Pump Gear	1	
<input type="checkbox"/>	4	<a href="#">3915036</a>	Stud	2	
<input type="checkbox"/>	5	<a href="#">3916284</a>	O-Ring Seal	1	